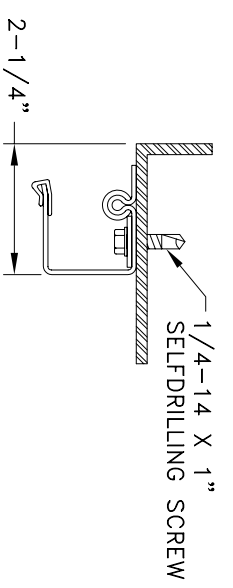
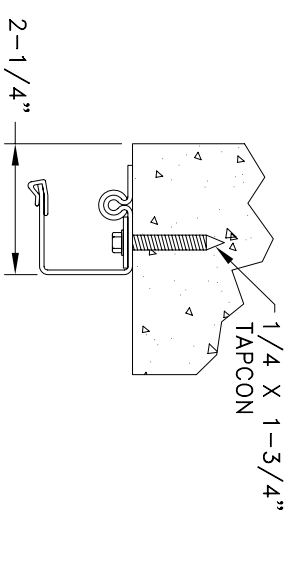


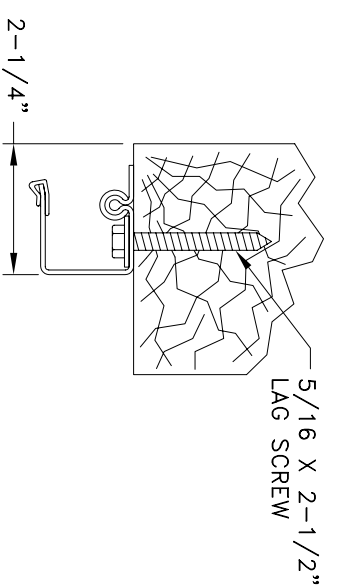
TYPICAL GUIDE FASTENER LOCATIONS



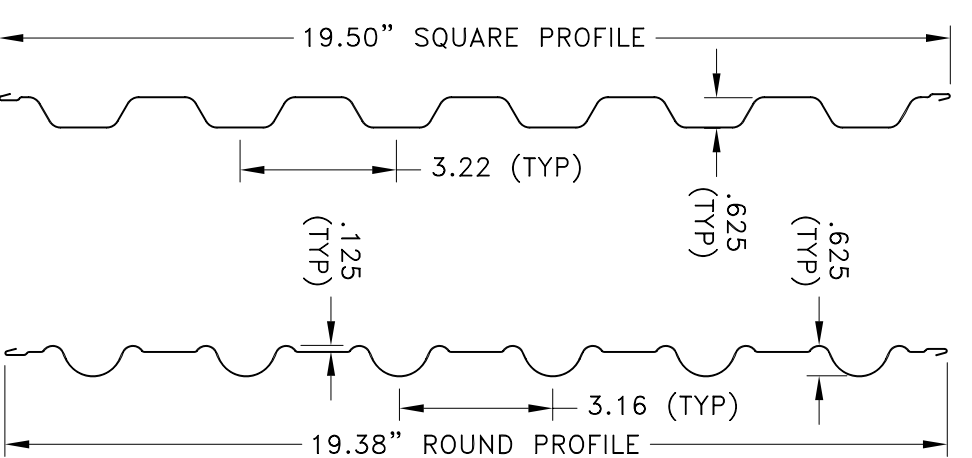
STEEL JAMB DETAIL



MASONRY JAMB DETAIL



WOOD JAMB DETAIL



CURTAIN DETAIL

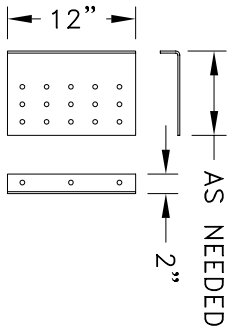
(26GA PAINTED GALV. STEEL)

METHOD OF OPERATION	A	B	C
PUSH-UP	5"	17"	7"
DIRECT DRIVE CHAIN/MOTOR	9"	19"	8"
REDUCED DRIVE CHAIN	8"	21"	9"

OPENING HEIGHT	B	C
6'-0" TO 8'-0"	17"	7"
8'-1/4" TO 10'-0"	19"	8"
10'-1/4" TO 16'-0"	21"	9"

NOTES:

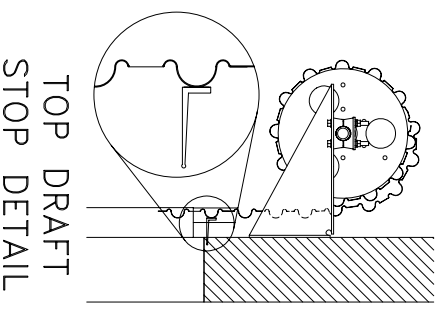
1. DOOR MODEL DS2001 IS INSULATED DS-200
2. WHEN USING LOCK BY OTHERS (LBO), STANDARD THROW SLIDE REQUIRED
3. DOORS FOR OPENING SIZE GREATER THAN 10'-0" IN EITHER HEIGHT OR WIDTH USE T-BRACKET
4. TOP DRAFT STOP OPTIONAL
5. OPER. HAND DETERMINED INSIDE LOOKING OUT
6. CURTAIN LOCK (CTL) HAND DETERMINED OUTSIDE LOOKING IN
7. DIMENSIONS SHOWN ARE APPROXIMATE. SEE INSTALL MANUAL FOR EXACT COMPONENT LOCATION
8. STD GUIDES SHOWN. CONSULT FACTORY IF HD GDS.



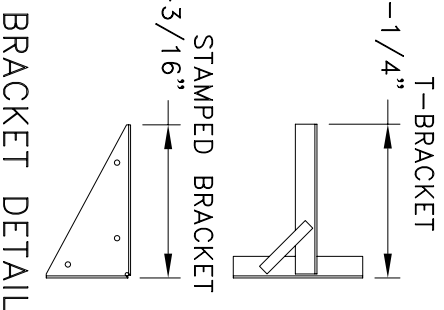
AS NEEDED



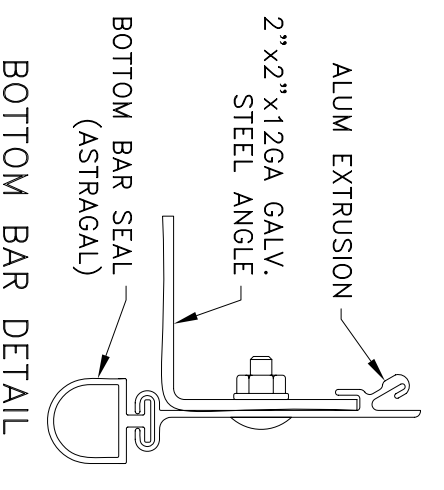
STEEL MOUNTING PLATE DETAIL



TOP DRAFT STOP DETAIL (OPTIONAL)



BRACKET DETAIL



BOTTOM BAR SEAL (ASTRAGAL)

SALES ORDER NUMBER	DOOR MODEL	QTY	EXACT OPENING SIZE		OUTSIDE CURTAIN COLOR	JAMB TYPE		METHOD OF OPERATION		OPER. HAND	OPTIONAL HOOD?	LOCK OPTIONS				OTHER OPTIONS		
			WIDTH	HEIGHT		MAS	STL WOOD	PUSH UP	DIRECT CHAIN			REDUCED CHAIN	MOTOR	ISB BOTH	CTL RIGHT		CTL LEFT	CTL BOTH
DS2001	DS2001																	

PROJECT LOCATION	CONTACT	PHONE NUMBER	FAX NUMBER

DS-200 COMMERCIAL DOOR

CUSTOMER NAME

CUSTOMER NUMBER

PROJECT NAME

PROJECT LOCATION

CONTACT

PHONE NUMBER

FAX NUMBER

DATE

SIZE DRAWING NO. **B 035-0028**

REVISION **2**

Wayne Dalton
Door & Systems Div.
2589 County Rd 168
Dundee, Ohio 44624